

SPECIFICATIONS FOR LCD MODULE

CUSTOMER	
CUSTOMER PART NO.	
JIURILCD PART NO.	FRB-240128
APPROVED BY	
DATE	

APPROVED BY	CHECKED BY	ORGANIZED BY

1 FEATURES

- (1) Display format : 240 × 128 dot-matrix ; 1/ 128 duty.
- (2) Construction : STN/FSTN LCD, Bezel, Zebra ,PCB.
- (3) Optional LED / EL / CCFL back-light.
- (4) Built in controller T6963C or EQU.
- (5) 5V single power input. Built-in DC/DC converter for LCD driving.
- (6) Normal / Extended temperature type.

2 MECHANICAL DATA

Parameter	Standard Value	Unit
Dot size	0.40 (W) × 0.40(H)	mm
Dot pitch	0.45(W) × 0.45(H)	mm
Viewing area	114.0(W) × 64.0(H)	mm
Module size (LED/CCFL back-light)	144.0(W) × 104.0(H) × 13.7 max (T)	mm

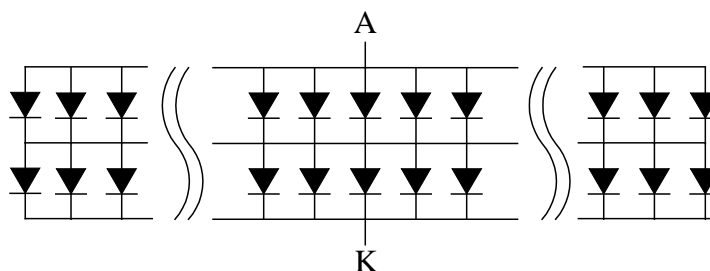
3 ABSOLUTE MAXIMUM RATINGS

Parameter	Symbol	Min	Max	Unit	
Logic Circuit Supply Voltage	VDD-VSS	0	7.0	V	
LCD Driving Voltage	VDD-VO	0	26	V	
Input Voltage	VI	VSS	VDD	V	
Normal temp. type	Operating Temp.	TOP	0	50	°C
	Storage Temp.	TSTG	-20	70	°C
Extended temp. type	Operating Temp.	TOP	-20	70	°C
	Storage Temp.	TSTG	-30	80	°C

4 ELECTRICAL CHARACTERISTICS

Parameter	Symbol	Condition	Min	Typ	Max	Unit	Note
----- Electronic Characteristics -----							
Logic Circuit Supply Voltage	VDD-VSS	--	4.75	5.0	5.25	V	
LCD Driving Voltage	VDD-VO	-20 °C	20.0	21.0	22.0	V	0 ~ 50 °C for Normal Temp. type -20 ~ 70 °C for Extended Temp. type
		0 °C	19.0	20.0	21.0		
		25 °C	18.0	18.9	19.8		
		50 °C	17.1	18.0	18.9		
		70 °C	16.0	17.0	18.0		
Input Voltage	VIH	--	0.7 VDD	--	VDD	V	
	VIL	--	VSS	--	0.3 VDD	V	
Logic Supply Current	IDD	VDD = 5V	--	25	--	mA	
----- Optical Characteristics -----							
Contrast	CR	STN type	--	5	--		Note 1
		FSTN type	--	8	--		
Rise Time	tr	25°C	--	170	255	ms	Note 2
Fall Time	tf	25°C	--	400	600	ms	
Viewing Angle Range	θ f	25°C & CR≥2	--	40	--	Deg.	Note 3
	θ b		--	35	--		
	θ l		--	40	--		
	θ r		--	40	--		
Frame Frequency	fF	25°C	--	64	--	Hz	
----- LED Back-light Characteristics -----							
Forward Voltage	VF	--	--	4.05	4.3	V	Supply Voltage between A&K
Forward Current	IF	VF=4.05V	--	200	--	mA	
Bare LED Luminous intensity		VF=4.05V	--	100	--	cd/m ²	
LCM Luminous intensity		VF=4.05V	--	30	--	cd/m ²	

* LED Dice number = 2x20=40

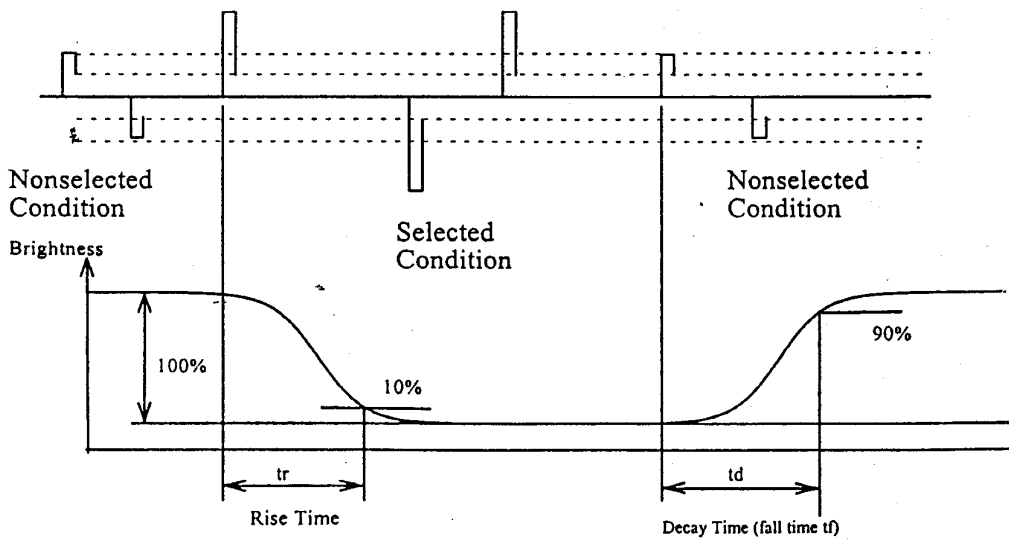


Parameter	Min	Typ	Max	Unit	Note
----- EL Back-light Characteristics -----					
Driving Voltage	--	110	--	Vrms	
Frequency	--	400	--	Hz	
Bare EL Luminous intensity	--	45	--	cd/m ²	
LCM Luminous intensity	--	15	--	cd/m ²	

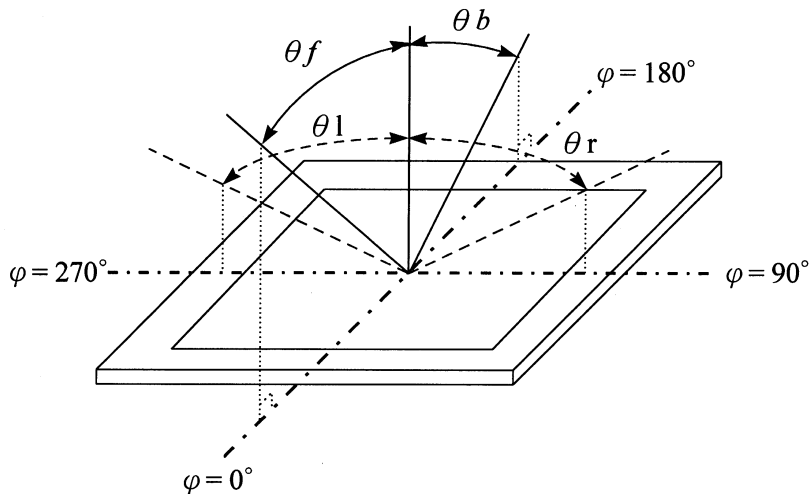
(NOTE 1) Contrast ratio :

$$CR = (\text{Brightness in OFF state}) / (\text{Brightness in ON state})$$

(NOTE 2) Response time :



(NOTE 3) Viewing angle



4.1 C.C.F.L. BACK-LIGHT SPECIFICATION

(1) The brightness life of the back light shall be kept as specified under the following absolute maximum conditions:

Power Consumption	2.88 W
TA = 25 °C, fL = 37 ± 5 KHz	(with DIYN 43 Inverter)
Tube Current	6.0 ± 0.5 mA
TA = 25 °C, fL = 37 ± 5 KHz	

(2) Electrical Characteristics

The following operating conditions are recommended for the back light unit.

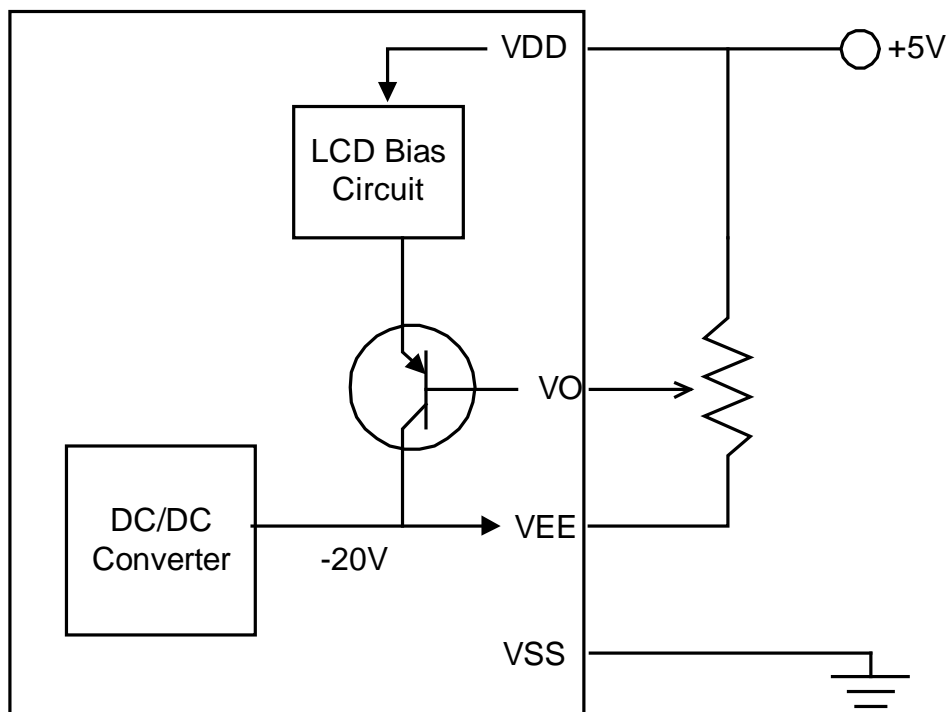
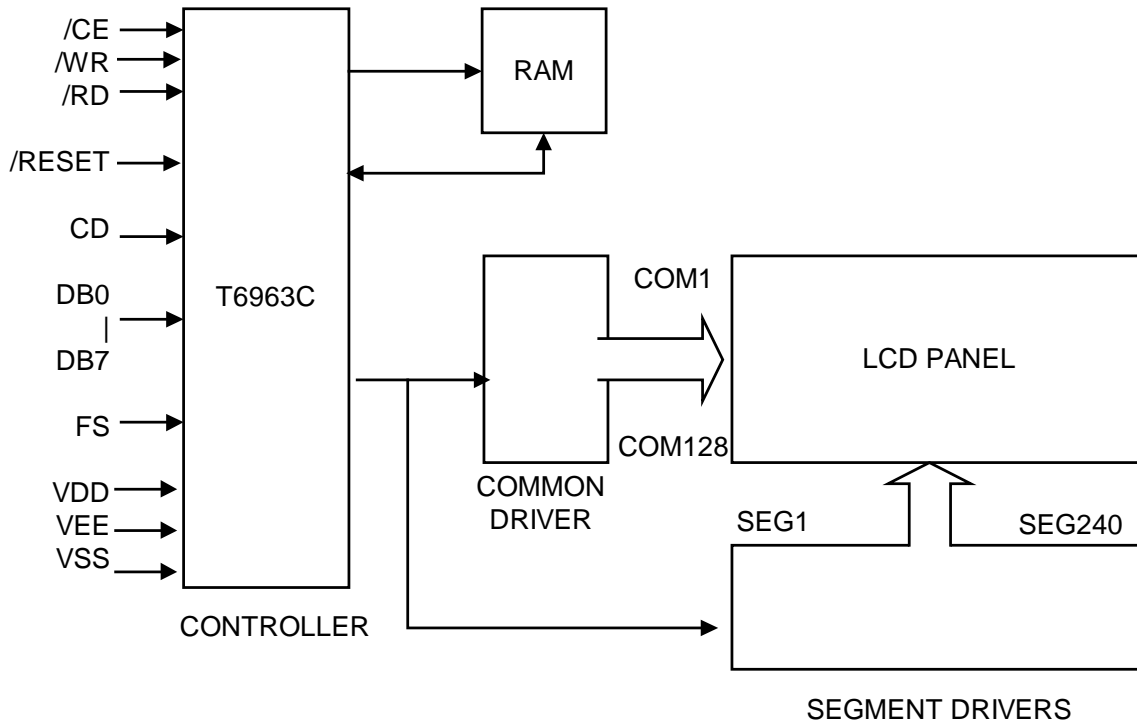
Start Voltage	975 Vrms min, at Ta=0 °C
Tube Voltage	390 ± 40 Vrms typ, at Ta=25 °C
Tube Current	5.0 ± 0.5 mA typ, at Ta=25 °C
Drive Frequency	55 ± 5 KHz typ, at Ta=25 °C

(3) Initial Optical Characteristics

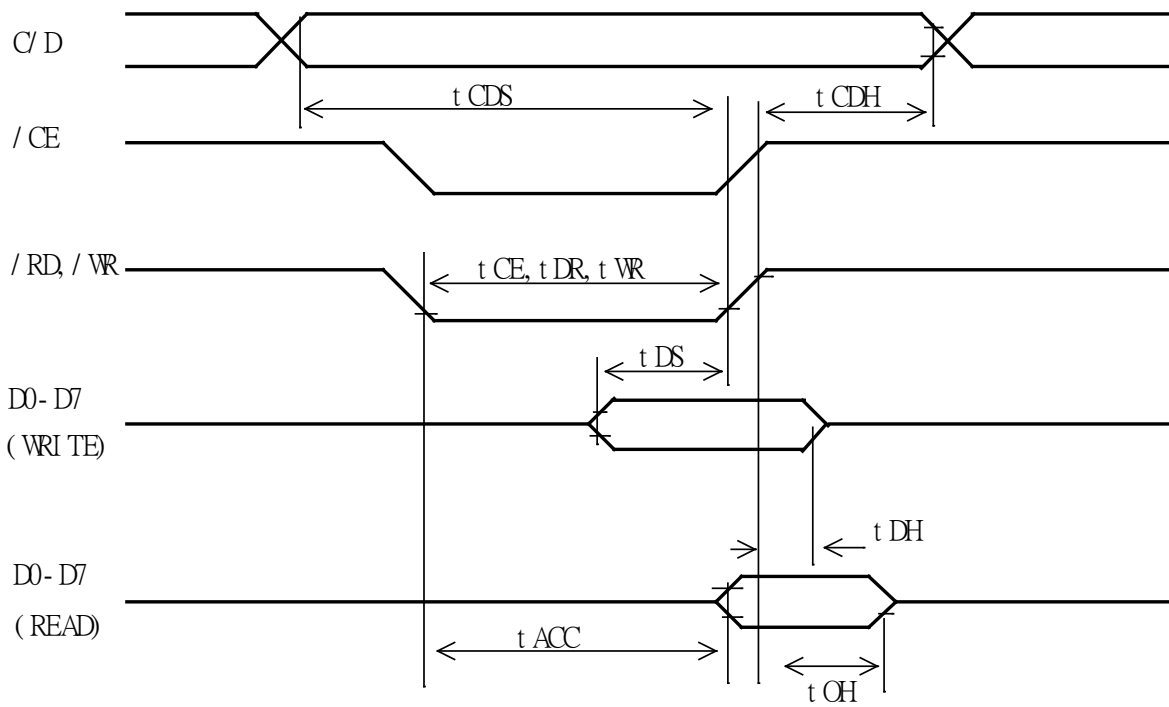
The unit shall satisfy the following criteria at 25 ± 2°C ambient temperature, 30% - 85% relative humidity, no air flow and with applying rating input voltage and input current by using DIYN 43 inverter, input voltage 12V, be measured 3 min. after initial power on.

Item	Min	Typ	Max	Unit	Note
LCM Average Brightness	120	140	--	cd/m ²	
Brightness Uniformity	85%	--	--	%	
Chromaticity X	0.337	0.341	0.361		
Y	0.382	0.402	0.422		

5 BLOCK DIAGRAM & POWER SUPPLY

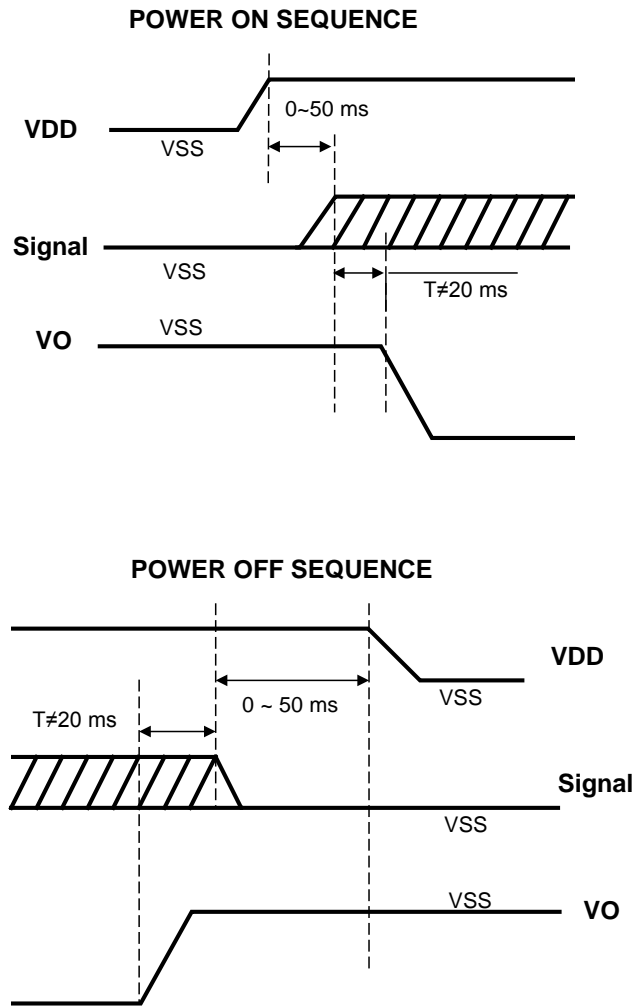


7 TIMING CHARACTERISTICS



ITEM	SYMBOL	MIN	MAX	UNIT
C/D SET UP TIME	TCDS	100	--	ns
C/D HOLD TIME	THCL	10	--	ns
/CE,/RD,/WR PULSE WIDTH	TCE,TRD,TWR	80	--	ns
DATA SET UP TIME	TDS	80	--	ns
DATA HOLD TIME	TDH	40	--	ns
ACCESS TIME	TACC	--	150	ns
OUTPUT HOLD TIME	TOH	10	50	ns

7.1 Power ON/OFF Sequence



8 QUALITY AND RELIABILITY

8.1 TEST CONDITIONS

Tests should be conducted under the following conditions :

Ambient temperature : $25 \pm 5^{\circ}\text{C}$

Humidity : $60 \pm 25\% \text{ RH}$.

8.2 SAMPLING PLAN

Sampling method shall be in accordance with MIL-STD-105E , level II, normal single sampling plan .

8.3 ACCEPTABLE QUALITY LEVEL

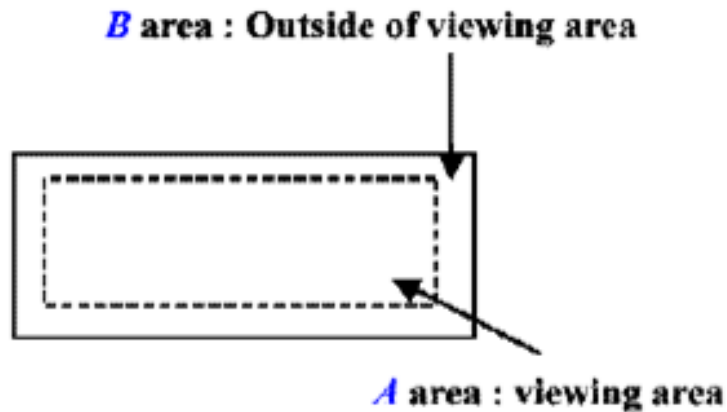
A major defect is defined as one that could cause failure to or materially reduce the usability of the unit for its intended purpose. A minor defect is one that does not materially reduce the usability of the unit for its intended purpose or is an infringement from established standards and has no significant bearing on its effective use or operation.

8.4 APPEARANCE

An appearance test should be conducted by human sight at approximately 30 cm distance from the LCD module under flourescent light. The inspection area of LCD panel shall be within the range of following limits.

8.5 INSPECTION QUALITY CRITERIA

Item	Description of defects			Class of Defects	Acceptable level (%)	
Function	Short circuit or Pattern cut			Major	0.65	
Dimension	Deviation from drawings			Major	1.5	
Black spots	Ave . dia . D	area A	area B	Minor	2.5	
	$D \leq 0.2$	Disregard				
	$0.2 < D \leq 0.3$	3	4			
	$0.3 < D \leq 0.4$	2	3			
	$0.4 < D$	0	1			
Black lines	Width W, Length L		A	B	Minor	2.5
	$W \leq 0.03$		disregard			
	$0.03 < W \leq 0.05$		3	4		
	$0.05 < W \leq 0.07, L \leq 3.0$		1	1		
	See line criteria					
Bubbles in polarizer	Average diameter D $0.2 < D < 0.5$ mm for N = 4, $D > 0.5$ for N = 1			Minor	2.5	
Color uniformity	Rainbow color or newton ring.			Minor	2.5	
Glass Scratches	Obvious visible damage.			Minor	2.5	
Contrast ratio	See note 1			Minor	2.5	
Response time	See note 2			Minor	2.5	
Viewing angle	See note 3			Minor	2.5	



8.6 RELIABILITY

Test Item	Test Conditions		Note
	Normal Temp. type	Extended Temp. type	
High Temperature Operation	50±3°C , t=96 hrs	70±3°C , t=96 hrs	
Low Temperature Operation	0±3°C , t=96 hrs	-20±3°C , t=96 hrs	
High Temperature Storage	70±3°C , t=96 hrs	80±3°C , t=96 hrs	1,2
Low Temperature Storage	-20±3°C , t=96 hrs	-30±3°C , t=96 hrs	1,2
Temperature Cycle	-20°C ~ 25°C ~ 70°C 30 m in. 5 min. 30 min. (1 cycle) Total 5 cycle	-30°C ~ 25°C ~ 80°C 30 min. 5 min. 30 min. (1 cycle) Total 5 cycle	1,2
Humidity Test	40 °C, Humidity 90%, 96 hrs		1,2
Vibration Test (Packing)	Sweep frequency : 10 ~ 55 ~ 10 Hz/1min Amplitude : 0.75mm Test direction : X.Y.Z/3 axis Duration : 30min/each axis		2

Note 1 : Condensation of water is not permitted on the module.

Note 2 : The module should be inspected after 1 hour storage in normal conditions
(15-35°C , 45-65%RH).

Definitions of life end point :

- Current drain should be smaller than the specific value.
- Function of the module should be maintained.
- Appearance and display quality should not have degraded noticeably.
- Contrast ratio should be greater than 50% of the initial value.

9 HANDLING PRECAUTIONS

- (1) An LCD module is a fragile item and should not be subjected to strong mechanical shocks.
- (2) Avoid applying pressure to the module surface. This will distort the glass and cause a change in colour.
- (3) Under no circumstances should the position of the bezel tabs or their shape be modified.
- (4) Do not modify the display PCB in either shape or positioning of components.
- (5) Do not modify or move location of the zebra or heat seal connectors.
- (6) The device should only be soldered to during interfacing. Modification to other areas of the board should not be carried out.
- (7) In the event of LCD breakage and resultant leakage of fluid do not inhale, ingest or make contact with the skin. If contact is made rinse immediately.
- (8) When cleaning the module use a soft damp cloth with a mild solvent, such as Isopropyl or Ethyl alcohol. The use of water, ketone or aromatic is not permitted.
- (9) Prior to initial power up input signals should not be applied.
- (10) Protect the module against static electricity and observe appropriate anti-static precautions.

10 OUTLINE DIMENSION

